



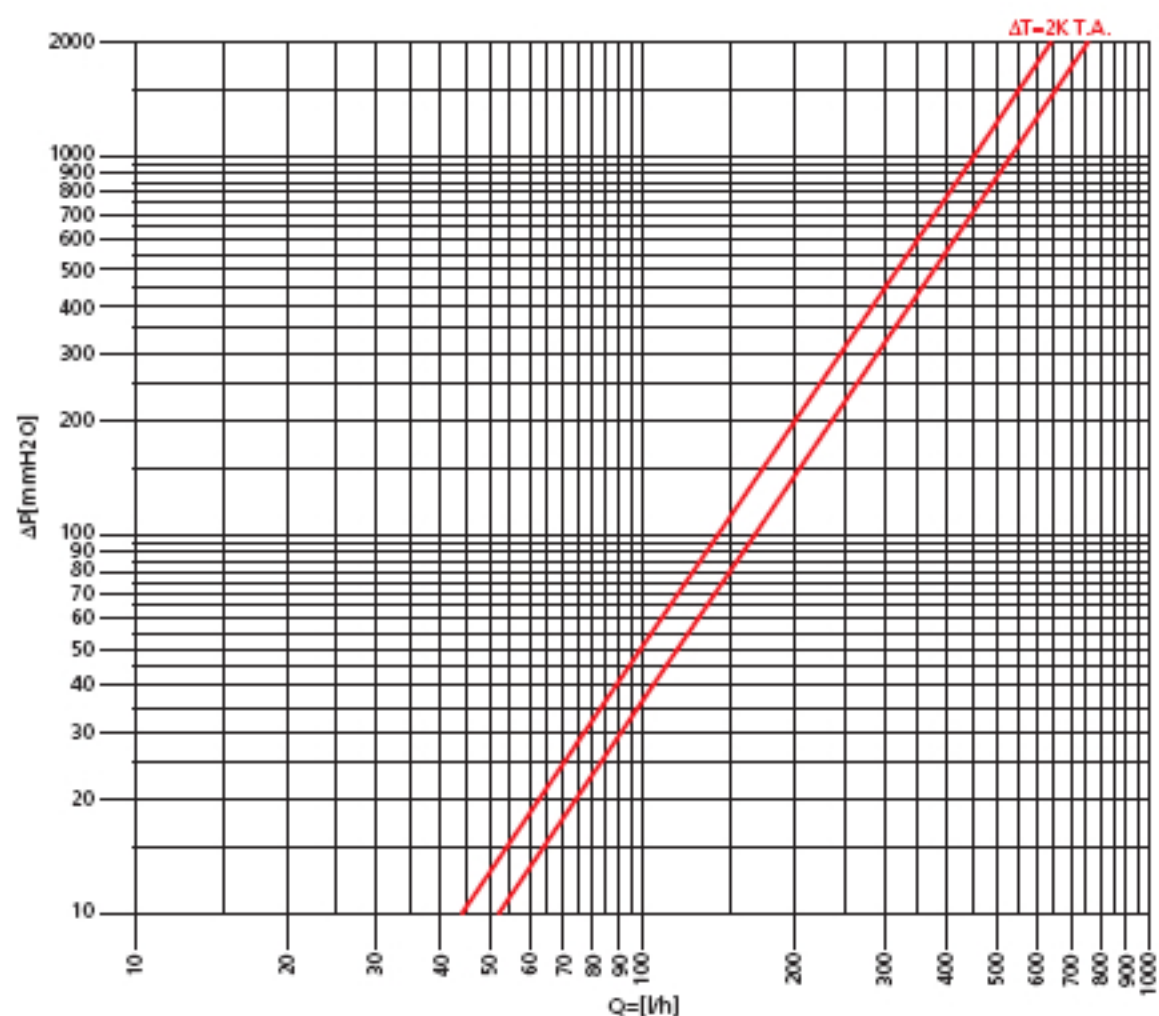
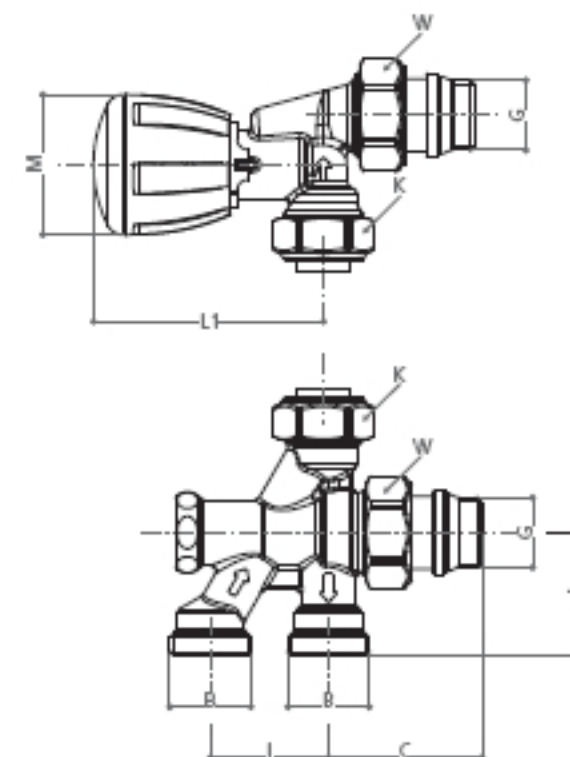
Thermostatic unit for single-pipe systems with angled valve and lockshield, self-sealing tail-piece.

The R194 Ø16 mm connection pipe between valve and lockshield must be purchased separately.

For connection to the system use R178, R178C, R179 or R179AM adaptors.

PART NUMBER	GxB	I	J	L1	C	M	K	W
R436X052	1/2"x16	35	37	68	46	42	27	30
R436X053	1/2"x18	50	42	68	38	42	27	30

R436



- ▶ T.A.
fully open handwheel and fully open lockshield.
- ▶ ΔT=2K
fully open lockshield.