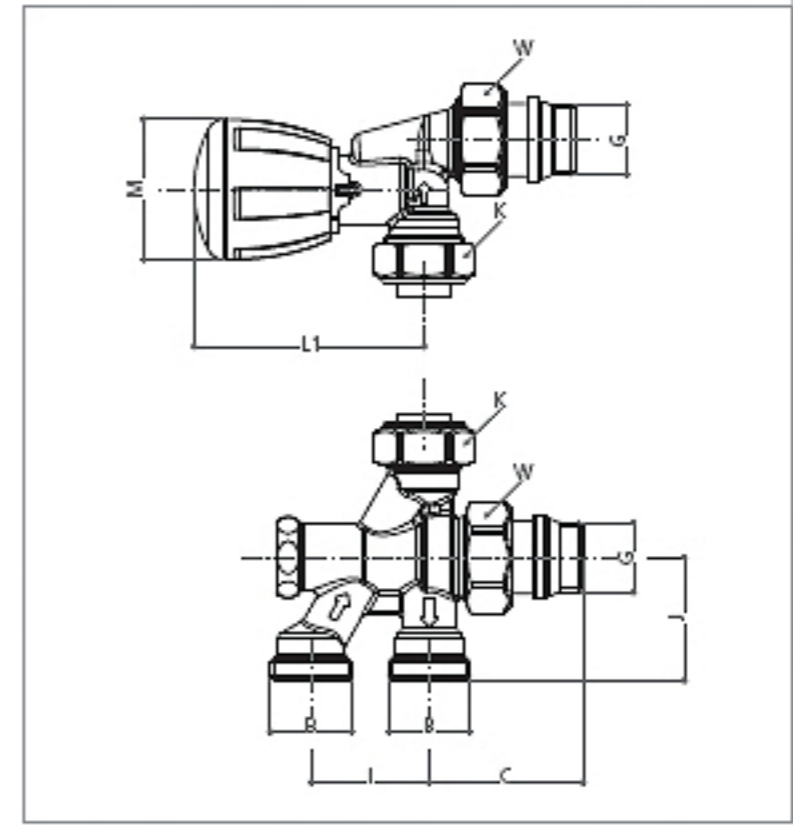




Thermostatic unit for twin-pipe systems, with angled valve and lockshield, 100% port to the radiator, self-sealing tail piece.

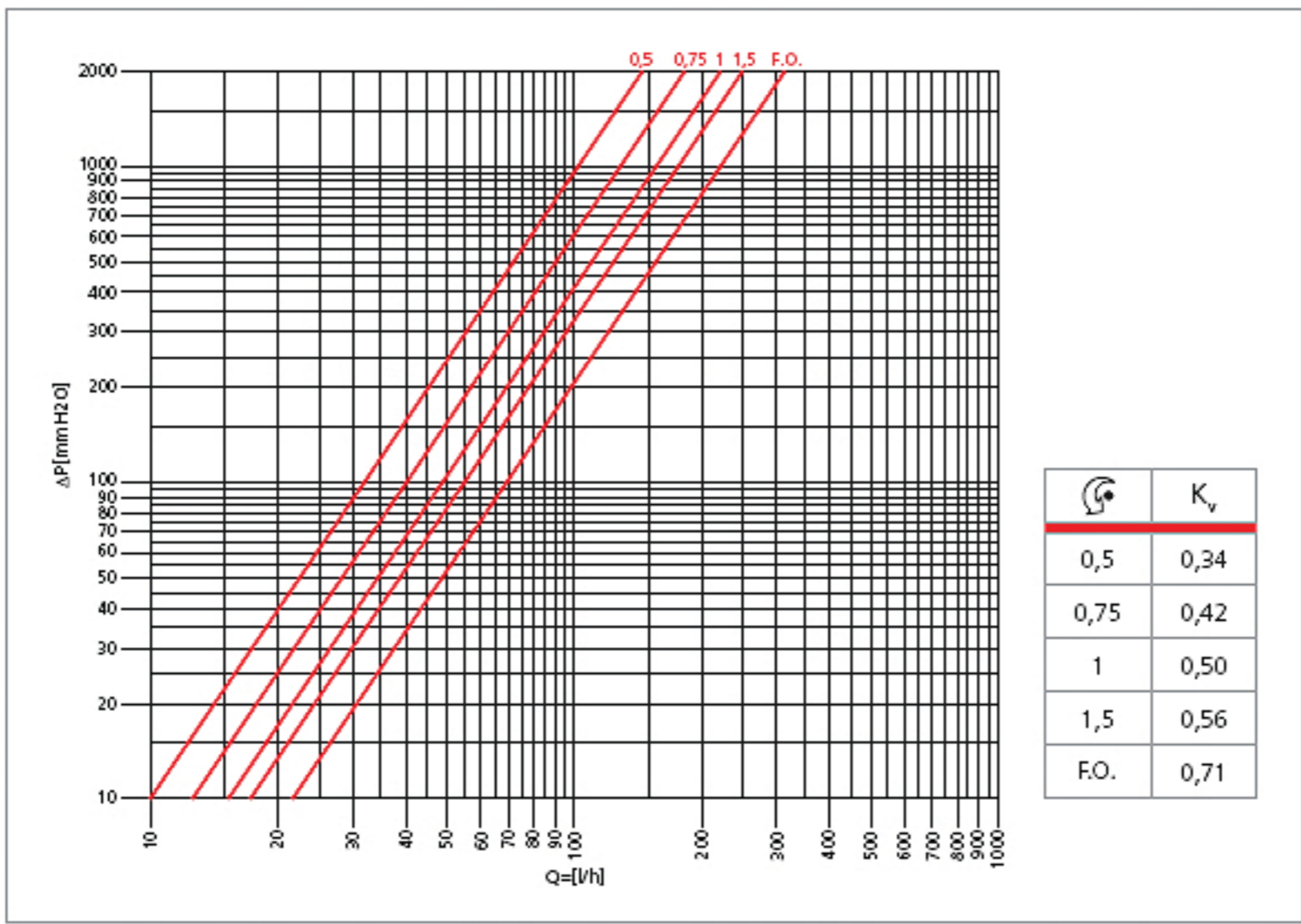
The R194 Ø16 mm connection pipe between valve and lockshield must be purchased separately

For connection to the system use R178, R178C, R179 or R179AM adaptors.

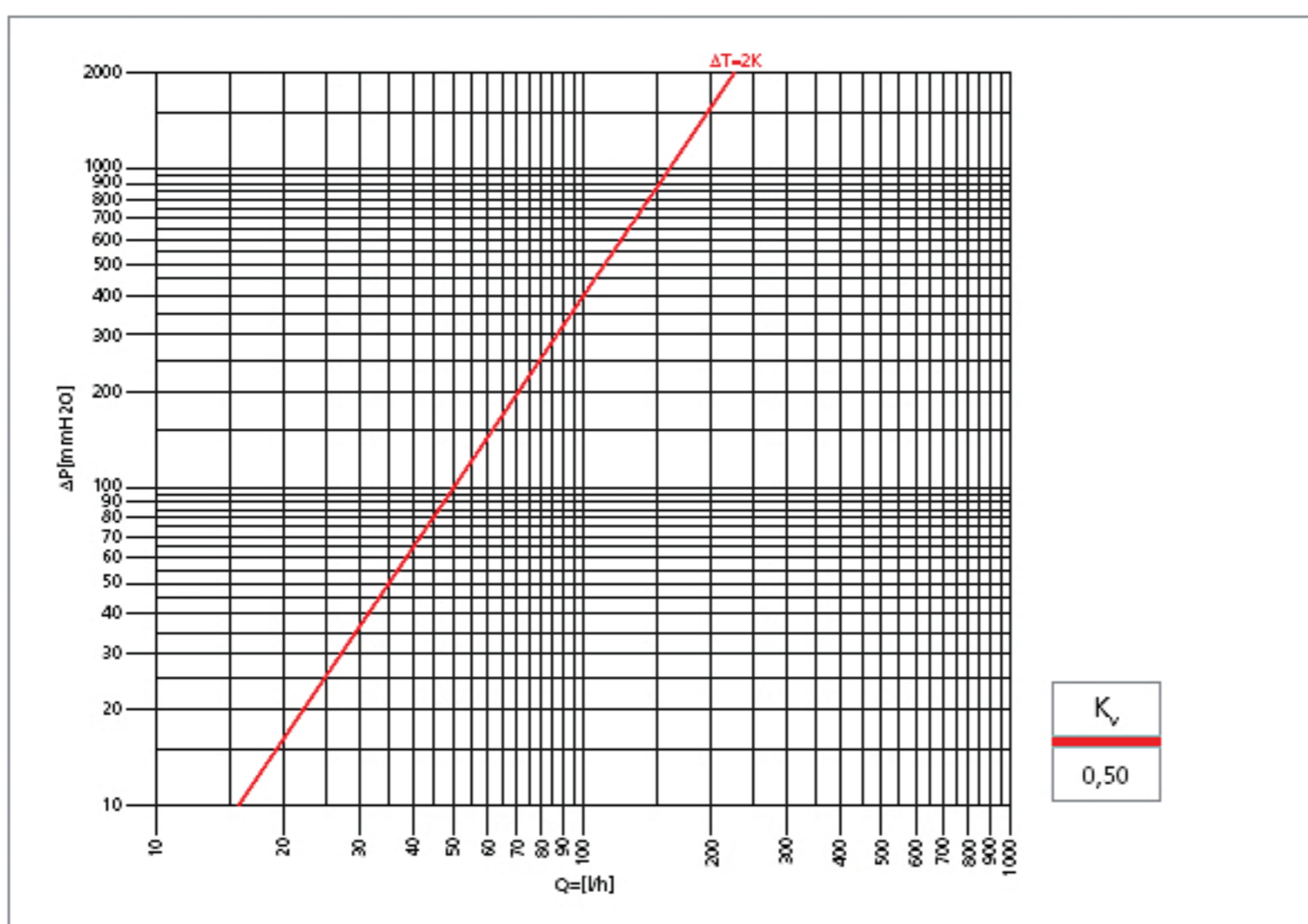


PART NUMBER	GxB	I	J	L1	C	M	K	W
R438X052	1/2"x16	35	37	68	46	42	27	30
R438X053	1/2"x18	50	42	68	38	42	27	30

R438 R438-1



► The numbers relative to curves indicate the number of turns to open the internal lockshield.



► ΔT=2K fully open lockshield.