



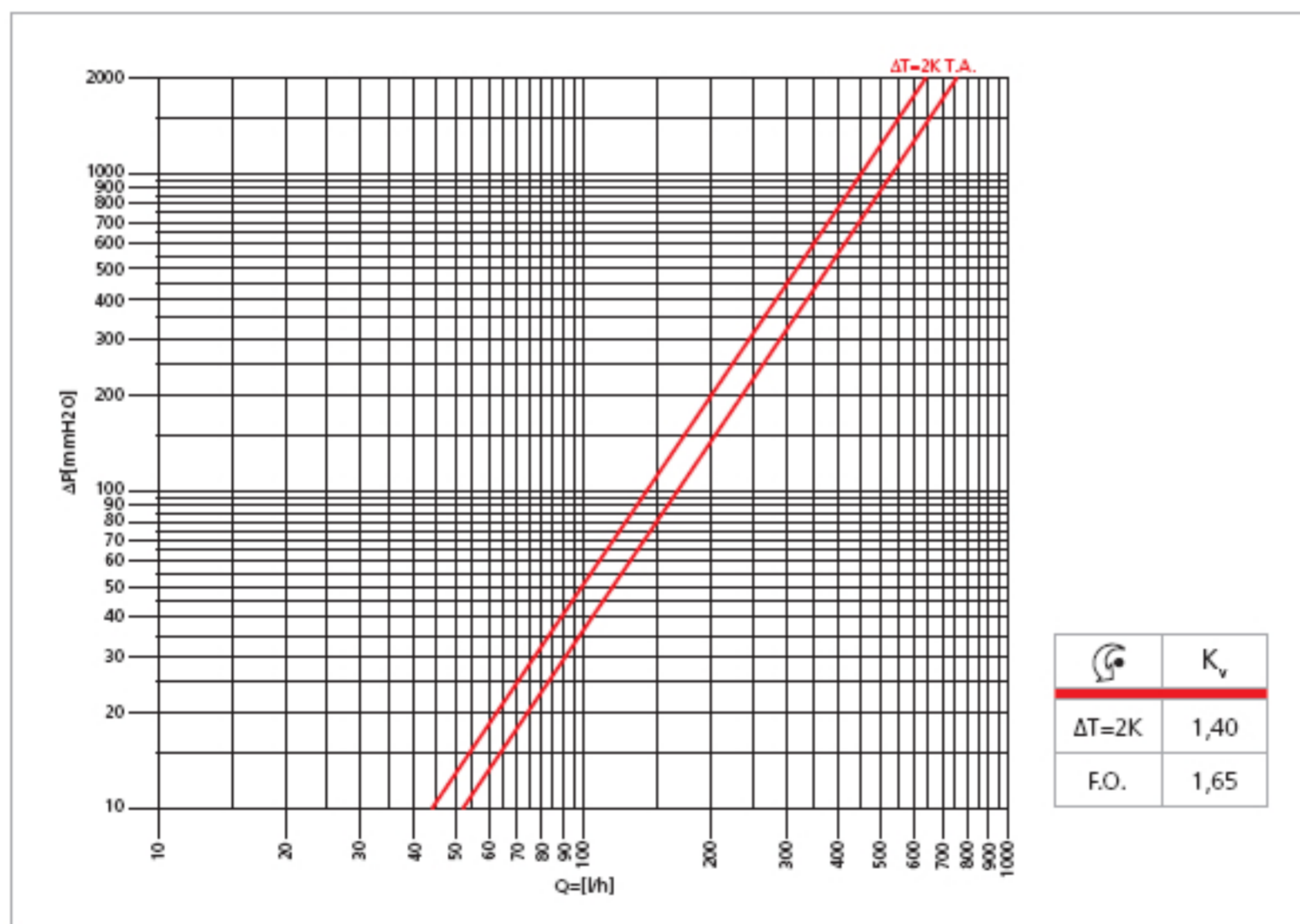
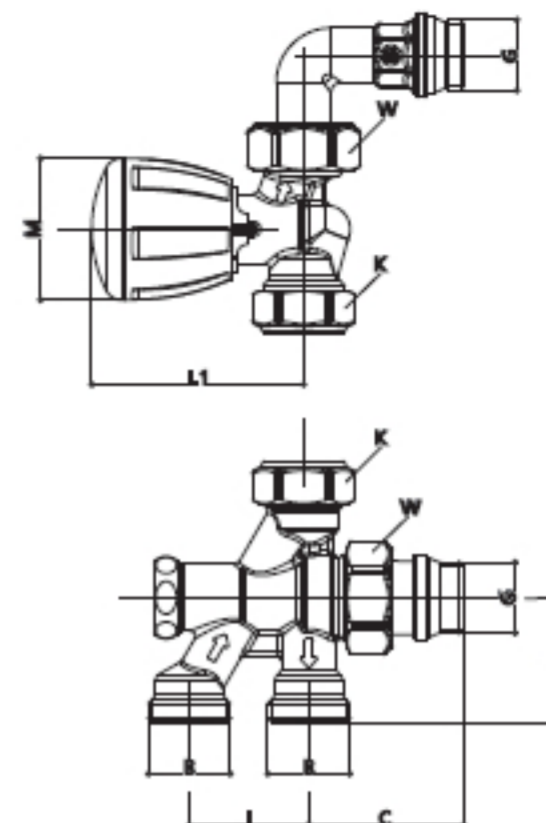
Thermostatic unit for single-pipe systems with straight valve and lockshield, self-sealing tail-piece.

The R194 Ø16 mm connection pipe between valve and lockshield must be purchased separately.

For connection to the system use R178, R178C, R179 or R179AM adaptors.

PART NUMBER	GxB	I	J	L1	C	M	K	W
R436IX043	1/2"x16	35	37	62	46	42	27	30
R436IX044	1/2"x18	50	42	62	38	42	27	30

R436-1



- T.A.
fully open handwheel and fully open lockshield.
- ΔT=2K
fully open lockshield.