

R950



DADO® ball valve, nickel plated, female connections and lever handle.

Full port.

Heavy-type series.

Certified in compliance with the European Standard EN 331: 1998 by DVGW, CERTIgaz and ADVANTICA

CE* 1115 According to "PED" 97/23/CE directive

CERTIFICATIONS

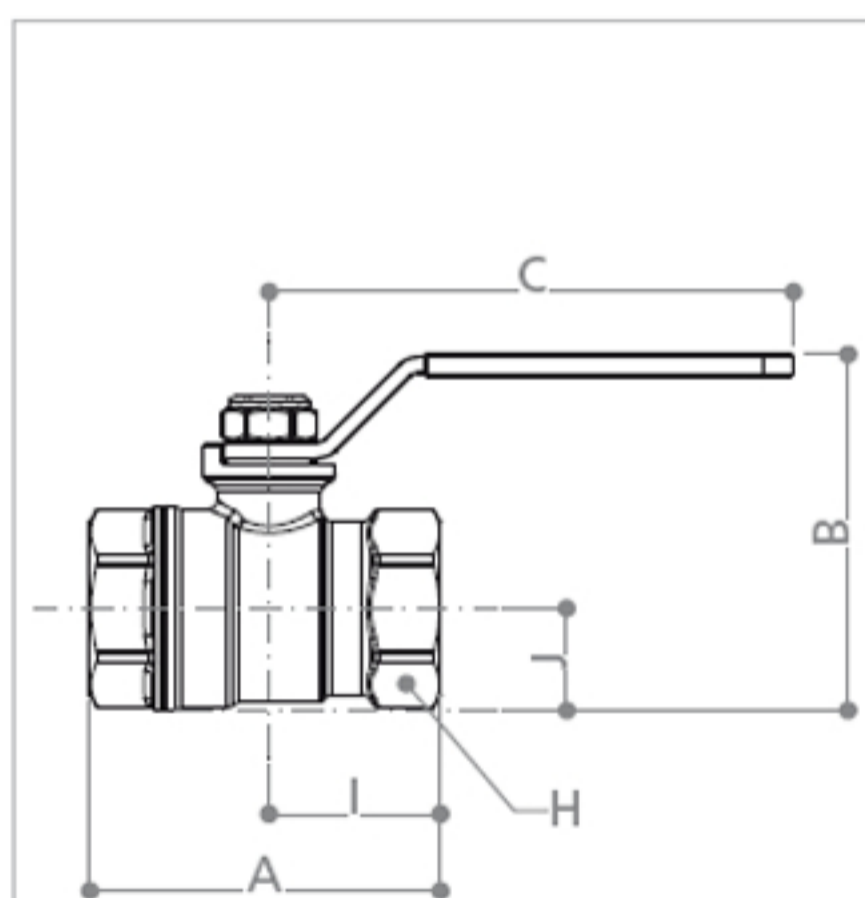


RED LEVER HANDLE

PART NUMBER	SIZE
R950X021	1/4"
R950X022	3/8"
R950X023	1/2"
R950X024	3/4"
R950X025	1"
R950X026*	1" 1/4
R950X027*	1" 1/2
R950X028*	2"

YELLOW LEVER HANDLE

PART NUMBER	SIZE
R950X001	1/4"
R950X002	3/8"
R950X003	1/2"
R950X004	3/4"
R950X005	1"
R950X006*	1" 1/4
R950X007*	1" 1/2
R950X008*	2"



Materials

Body: CW617NN - EN 12165 hot-pressed brass, chrome plated, nickel plated
 Sleeve: CW617NN - EN 12165 hot-pressed brass, chrome plated, nickel plated
 Stem: CW614N - EN 12164 bar turned brass, with inner and outer anti-friction rings and double sealing O-ring
 Ball: CW617N brass, chrome plated
 Gaskets: PTFE with low friction profile
 Handle: steel lever with plasticized coating
 Nut: with anti-corrosion coating, guarantee seal and hologram

Field of application

Max. working conditions with dry saturated steam: 185°C at 1,05 MPa (10,5 bar)
 Max. working pressure with water and not dangerous gas: 4,2 MPa (42 bar), from 1/4" to 3/4"
 3,5 MPa (35 bar), from 1" to 2"
 Max. operating pressure (MOP) with gas: 0,5 MPa (5bar)
 Max. operating working pressure with fluid hydrocarbons: 1,2 MPa (12bar)

ITEM	SIZE	DN	A	I	B	J	C	H
R950 R950W	1/4"	8	43	21	36	10	42	17
	3/8"	10	49	25	47	13	77	21
	1/2"	15	60	30	53	16	77	26
	3/4"	20	68	34	69	21	95	32
	1"	25	81	41	77	25	95	41
	1" 1/4	32	95	48	87	30	95	50
	1" 1/2	40	104	52	107	36	137	55
	2"	50	126	63	122	44	137	70