

# R314DN



Manual valve for single-pipe systems with external sensor.

The R194 Ø16 mm connection pipe between valve and curve fitting must be purchased separately.

For connection to the system use R178, R178C, R179 or R179AM adaptors.

PART NUMBER	GxB	I	H	J	L	C	M	W
R314DX032	1/2"x16	35	83	28	147	91	42	38

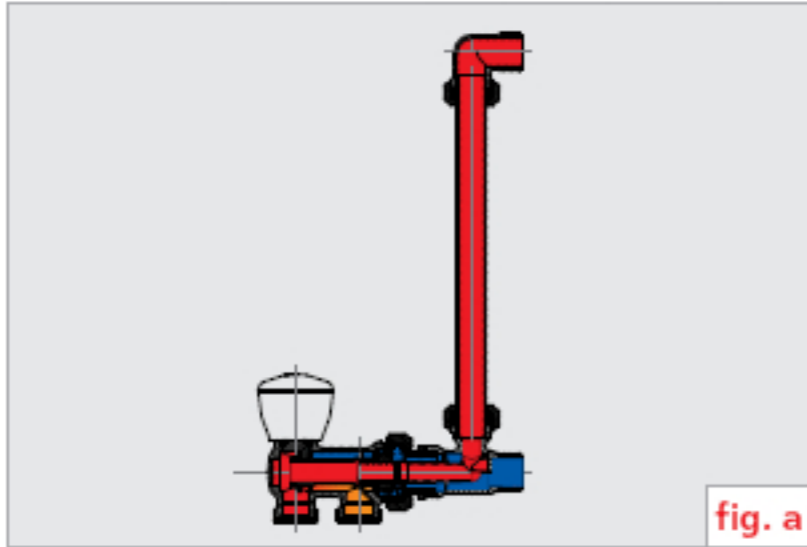
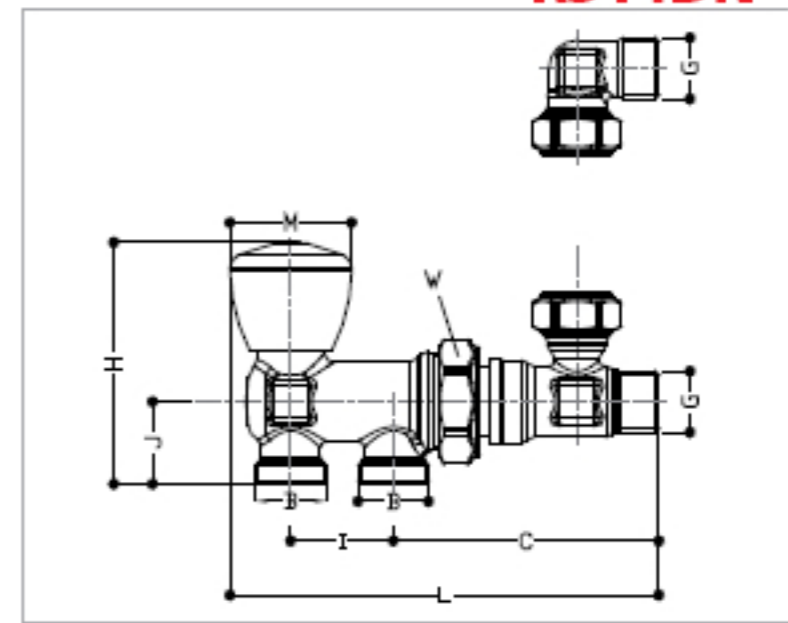


fig. a

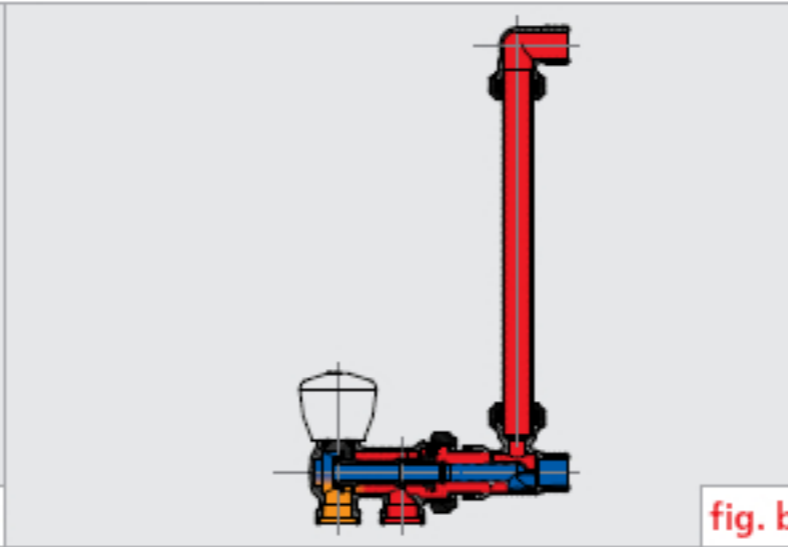


fig. b

### Connections layout.

In the basic configuration the return is close to the radiator and the supply is external.

(fig. a)

If the opposite configuration is needed (supply close to radiator and external return - fig. b), it is necessary to work on the separation group carrying out the operations reported in fig. c.

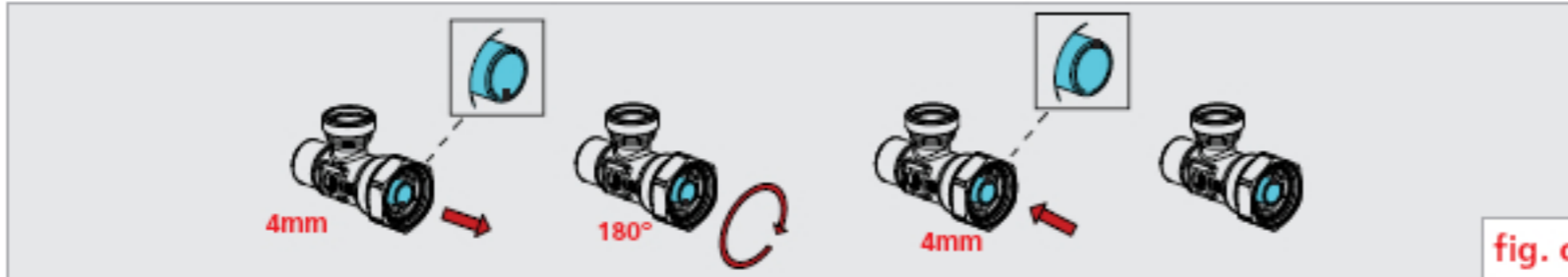
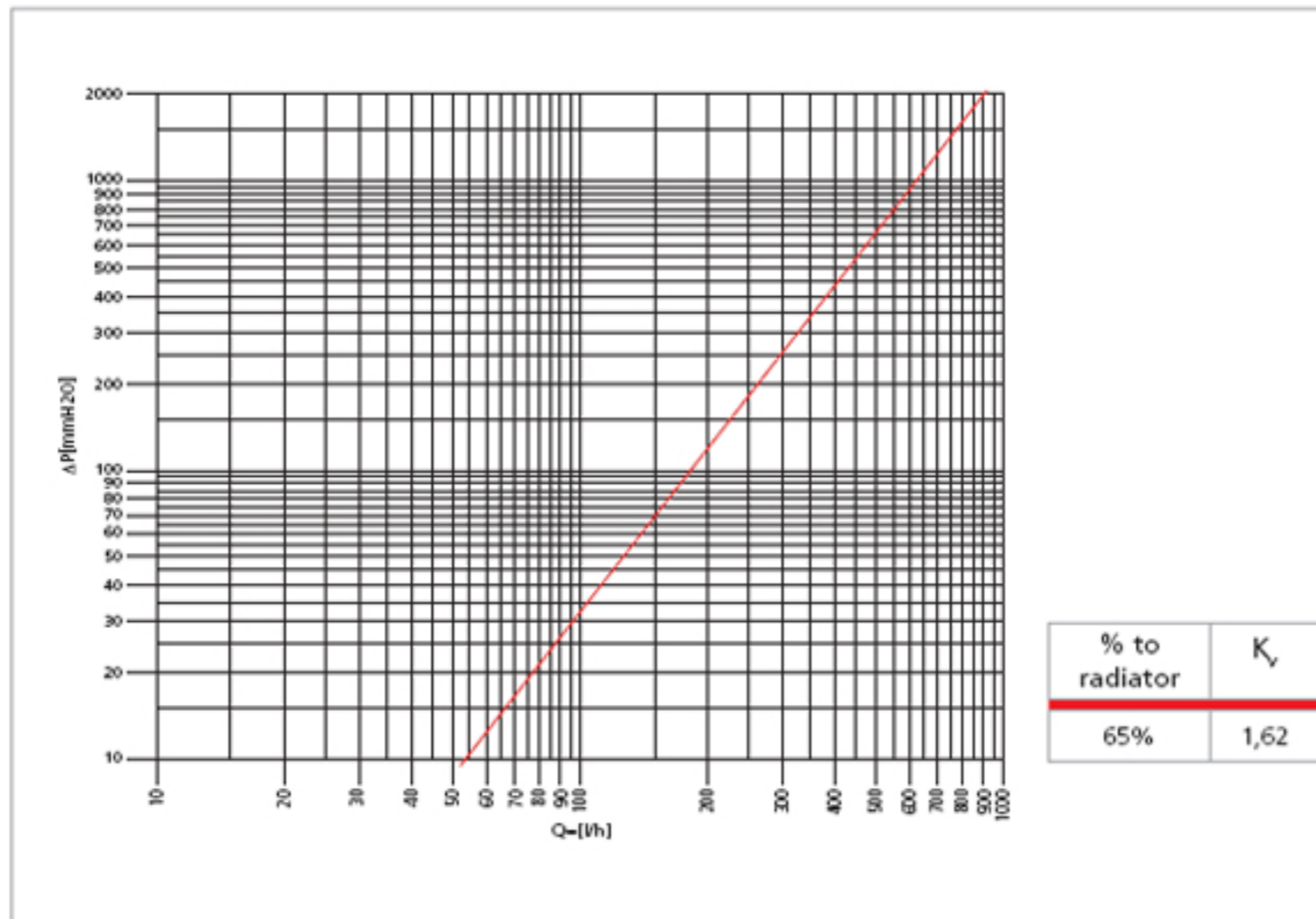


fig. c

# R314DN



► With the valve in open position the supply to radiator corresponds to 65% of total inflow