

K-head

Because trouble is never a
welcome guest



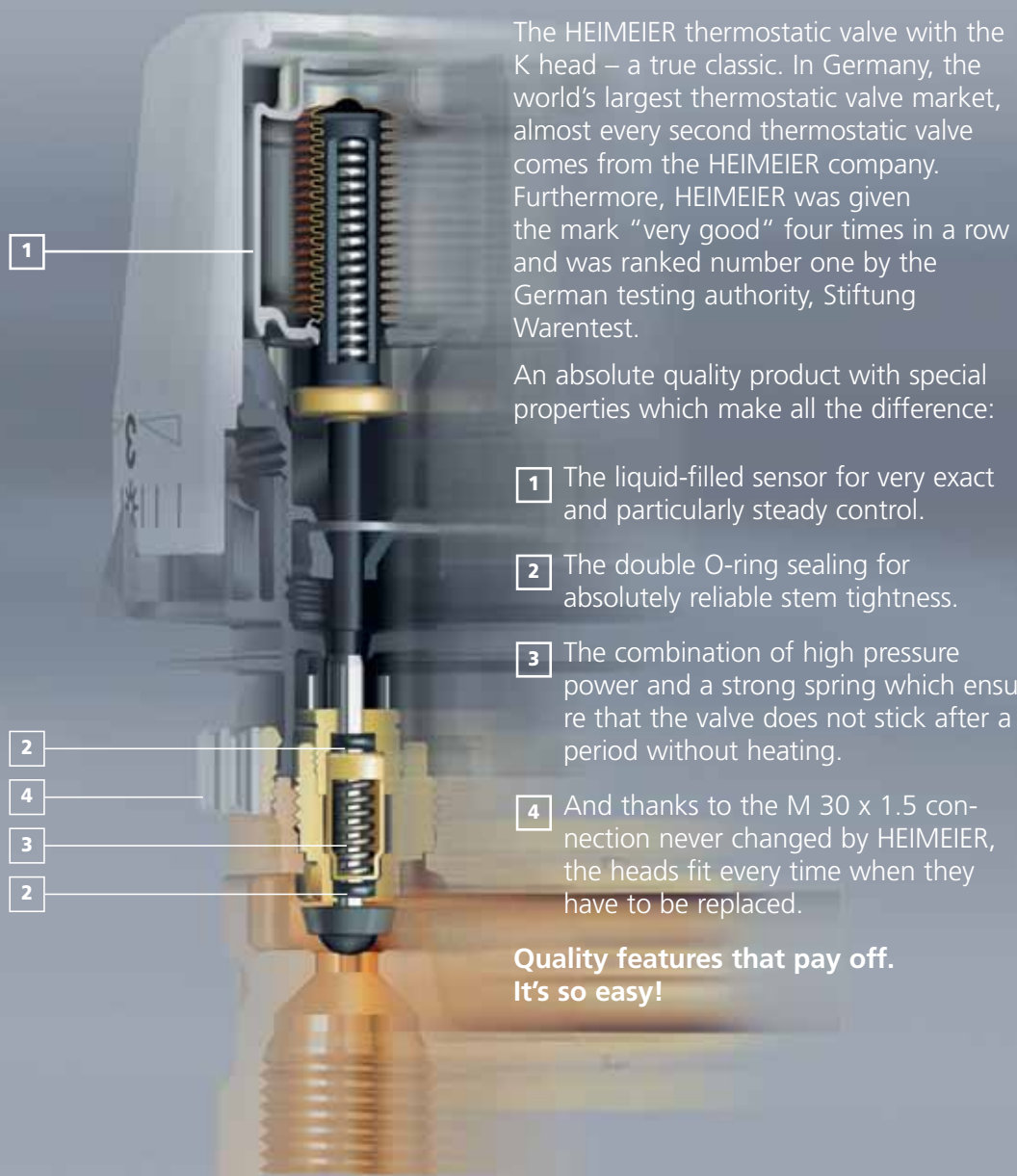
To be precise.



K-head



Quality
has top priority



The HEIMEIER thermostatic valve with the K head – a true classic. In Germany, the world's largest thermostatic valve market, almost every second thermostatic valve comes from the HEIMEIER company. Furthermore, HEIMEIER was given the mark "very good" four times in a row and was ranked number one by the German testing authority, Stiftung Warentest.

An absolute quality product with special properties which make all the difference:

- 1 The liquid-filled sensor for very exact and particularly steady control.
- 2 The double O-ring sealing for absolutely reliable stem tightness.
- 3 The combination of high pressure power and a strong spring which ensure that the valve does not stick after a period without heating.
- 4 And thanks to the M 30 x 1.5 connection never changed by HEIMEIER, the heads fit every time when they have to be replaced.

**Quality features that pay off.
It's so easy!**



test 3/94
SEHR GUT

test 3/89
SEHR GUT

test 8/85
SEHR GUT

THE BRIEF INFORMATION

Clever and practical: the brief information printed on the thermostatic head makes setting the right temperature easier.

THE RANGE

Liquid-filled thermostat for high regulating power, minimum hysteresis, optimal closing time and maximum energy savings. Steady control response even with small calculated p-band variations (<1 K). Corresponding to EnEV or DIN V 4701-10.

Upper and lower limitation or marking of the temperature range or blocking of a setting by means of economy clips. Concealed upper and lower limitation of the temperature range or blocking of a setting.

Assistance for regulating can be found on the front of the head and also markings designed for the visually impaired can be felt. Rotation direction indicator. Symbols for basic setting and nighttime set back. Brief information with the most essential settings. Front-sided slot for inserting "Colour Clips" or customised imprinted "Partner Clips".



Model		Art. no.	Art. no.	Art. no.
Standard with two economy clips.		6000-00.500	6002-00.500 Capillary tube length 2 m, for other lengths please refer to "Thermostatic heads" brochure.	9710-24.500
With zero position (valve opens at approx. 0° C). With two economy clips.		7000-00.500	7002-00.500	9711-24.500
With anti-theft protection using 2 screws. With two economy clips.		6040-00.500	6042-00.500	9710-40.500 with anti-theft protection using 2 screws
Public building model Anti-theft ring. Increased strength in accordance with former German army certification TL 4520-0014 Stress group 1 (for highest stress). With two economy clips.		6020-00.500	6022-00.500	
For indoor swimming pools, medical spas.		6200-00.500	6202-00.500	
Public building model Anti-theft ring. Staggered/limited setting range. Index figure depending on setting range 1-3/1-4/1-5. Upper set value at limit stop by turning anti-clockwise. Increased strength in accordance with former German army certification TL 4520-0014.		6120-...500 Lower set value 6° C, upper set value according to specification, in 1° C steps, between 15° C and 25° C. When ordering please replace the two dots (..) in the order number above with e.g. 20 for 20° C as the upper set value.		



Thermostatic head WK
Angle form with
M 30 x 1.5 connection
for integrated valves

Art. no.

7300-00.500



THE ECONOMY CLIPS

Convenient and energy-saving: with the economy clips it is possible to specify an individual temperature range with any thermostatic valve.

HEIMEIER HEADS FOR NON-HEIMEIER PRODUCTS



Thermostatic Head VK
with direct connection
for thermostatic valve bodies
Danfoss RA

Art. no.

9710-24.500
Standard

9711-24.500
with zero position

9710-40.500
with anti-theft protection
using 2 screws



Thermostatic Head K
with direct connection
for thermostatic valve bodies
Danfoss RAV

Art. no.

9800-24.500



Thermostatic Head K
with direct connection
for thermostatic valve bodies
Danfoss RAVL

Art. no.

9700-24.500



Thermostatic Head K
with direct connection
for thermostatic valve bodies
Vaillant.

Art. no.

9712-00.500



THE COLOUR CLIP

The K-head can be ideally matched in a flash to the décor of a room with the aid of colour clips.



Graduation cap
light grey RAL 7035
Art. no. 6000-00.504



Graduation cap
dusty grey RAL 7037
Art. no. 6000-00.505



Graduation cap
anthracite grey RAL 7016
Art. no. 6000-00.503



Graduation cap
jet black RAL 9005
Art. no. 6000-00.507



Graduation cap
chrome-plated
Art. no. 6000-00.501

DESIGN
LINE

Accessories

Illustration	Description	Art. no.																																	
	<p>E-Pro Time adaptor for time-dependent room temperature control. It is installed between the valve and thermostatic head. With automatic open window recognition Optional daily or weekly program. Including 2 batteries LR 6 (AA). Please also refer to the "E-Pro" leaflet.</p>	1950-00.500																																	
	<p>Theft protection For thermostatic head K, DX, D, WK. Please also refer to the "Installation and operating instructions" leaflet.</p>	6020-01.347																																	
	<p>Connection to non-HEIMEIER products Adaptor for the installation of HEIMEIER thermostatic heads on thermostatic valve bodies of the products listed opposite. Threaded connection M 30 x 1.5 according to standard. Please also refer to "Thermostatic heads for non-HEIMEIER products". *) cannot be used for integrated valves</p>	<table> <tr> <td>Product:</td> <td>Danfoss RA</td> <td>9702-24.700*)</td> </tr> <tr> <td></td> <td>Danfoss RAV</td> <td>9800-24.700</td> </tr> <tr> <td></td> <td>Danfoss RAVL</td> <td>9700-24.700</td> </tr> <tr> <td></td> <td>Vaillant (Ø ≈ 30 mm)</td> <td>9701-27.700</td> </tr> <tr> <td></td> <td>TA (M 28 x 1.5)</td> <td>9700-28.700</td> </tr> <tr> <td></td> <td>Herz</td> <td>9700-30.700</td> </tr> <tr> <td></td> <td>Markaryd</td> <td>9700-41.700</td> </tr> <tr> <td></td> <td>Comap</td> <td>9700-55.700</td> </tr> <tr> <td></td> <td>Giacomini</td> <td>9700-33.700</td> </tr> <tr> <td></td> <td>Oventrop (M 30 x 1)</td> <td>9700-10.700</td> </tr> <tr> <td></td> <td>Ista</td> <td>9700-36.700</td> </tr> </table>	Product:	Danfoss RA	9702-24.700*)		Danfoss RAV	9800-24.700		Danfoss RAVL	9700-24.700		Vaillant (Ø ≈ 30 mm)	9701-27.700		TA (M 28 x 1.5)	9700-28.700		Herz	9700-30.700		Markaryd	9700-41.700		Comap	9700-55.700		Giacomini	9700-33.700		Oventrop (M 30 x 1)	9700-10.700		Ista	9700-36.700
Product:	Danfoss RA	9702-24.700*)																																	
	Danfoss RAV	9800-24.700																																	
	Danfoss RAVL	9700-24.700																																	
	Vaillant (Ø ≈ 30 mm)	9701-27.700																																	
	TA (M 28 x 1.5)	9700-28.700																																	
	Herz	9700-30.700																																	
	Markaryd	9700-41.700																																	
	Comap	9700-55.700																																	
	Giacomini	9700-33.700																																	
	Oventrop (M 30 x 1)	9700-10.700																																	
	Ista	9700-36.700																																	
	<p>Connection to integrated valves Adaptor for the installation of HEIMEIER thermostatic heads with M 30 x 1.5 connection on thermostatic inserts for clamping connections. Threaded connection M 30 x 1.5 according to standard.</p> <p>Exception: The thermostatic head WK is intended only for installation on thermostatic inserts with M30 x 1.5 connecting thread.</p>	<table> <tr> <td>Series 2</td> <td>9703-24.700</td> </tr> <tr> <td>Series 3</td> <td>9704-24.700</td> </tr> </table>	Series 2	9703-24.700	Series 3	9704-24.700																													
Series 2	9703-24.700																																		
Series 3	9704-24.700																																		
	<p>Spindle extension for thermostatic valve bodies Brass, nickel-plated</p>	<table> <tr> <td>20 mm</td> <td>2201-20.700</td> </tr> <tr> <td>30 mm</td> <td>2201-30.700</td> </tr> </table>	20 mm	2201-20.700	30 mm	2201-30.700																													
20 mm	2201-20.700																																		
30 mm	2201-30.700																																		
	<p>Plastic, black</p>	<table> <tr> <td>30 mm</td> <td>2002-30.700</td> </tr> </table>	30 mm	2002-30.700																															
30 mm	2002-30.700																																		
	<p>Capillary tube coil for coiling unused capillary tube.</p>	6001-00.315																																	
	<p>Release device for graduation cap of thermostatic head K and VK and for dismounting stop clips. Please also refer to the "Installation and operating instructions" leaflet.</p>	6000-00.138																																	

To be precise.



Theodor Heimeier Metallwerk GmbH
Postfach 1124, 59592 Erwitte, Germany
Telephone +49 2943 891-0
Fax +49 2943 891-100
www.heimeier.com